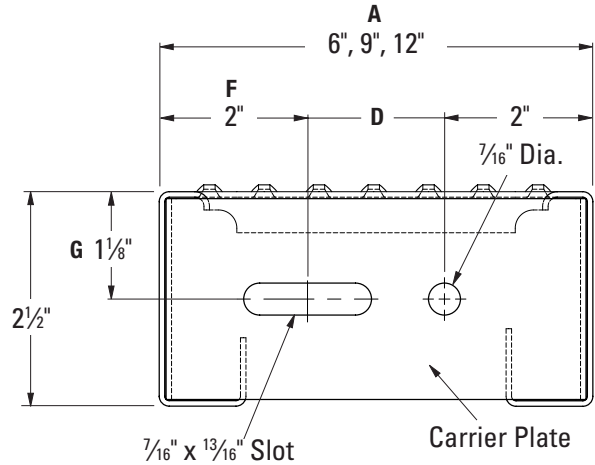


GRATE-LOCK SAFETY GRATING STAIR TREADS



Nosing	Widths	Depth	Material
Optional Checker Plate	See Carrier Plate Specification Table Below	2-1/2" Channel Depth	Pre-galvanized Carbon Steel, 14 ga.



Span	Catalog Number					
	T-MG62514		T-MG92514		T-MG122514	
	U	C	U	C	U	C
2'-0"	3722	1461	2357	974	1276	730
2'-6"	2382	1168	1508	974	816	730
3'-0"	1654	1241	1050	974	783	730
4'-0" ⁽¹⁾	931	931	593	889	442	730

U - Uniform Load (lb/sq. ft) C - Concentrated Load (lb)
⁽¹⁾ Intermediate stringer recommended for spans over 4'

Grate-Lock Carrier Plate Specifications				
Catalog No.	A Tread Width	D Dimension	F Dimension	G Dimension
For Stair Treads Without Nosing				
T-MG62514	6"	2"	2"	1-1/8"
T-MG92514	9"	5"	2"	1-1/8"
T-MG122514	12"	8"	2"	1-1/8"
For Stair Treads With Nosing				
TN-MG62514	7-1/2"	4-1/2"	2-1/2"	1-1/8"
TN-MG92514	10-1/2"	7"	2-1/2"	1-1/8"
TN-MG122514	13-1/2"	7"	2-1/2"	1-1/8"

Specify "MS" in lieu of "MG" for smooth surface stair treads.